

Application

WGI Elite series pressure gauges have a 304 stainless steel case for use in harsh or corrosive environments, liquid filled for significant cushioning and pulsation dampening which reduces pointer flutter and internal damage. Industries suited for include oil and gas equipment, refineries, hydraulic equipment, agricultural equipment, pressure washers, pumps, compressors and process systems.

Ranges (all ranges not stocked)
Vacuum / Compound to 30"Hg / 0 / 60 PSI
Pressure from 15 PSI to 15,000 PSI

Standard Features

Size
4" Dial

Fill Fluid
Silicone

Lens (Window) Material
Acrylic & Safety glass (ranges over 5000 psi)

Dial
White aluminum with black and red lettering

Pointer
Black aluminum

Accuracy
± 1% ASME B40.1 Grade A

Tube & Socket
316 Stainless tube soldered to Stainless socket

Temperature Limits
-60°C (-4°F) to 70°C (158°F) ambient and medium

Pressure Ranges
-30" Hg. Vacuum to 15,000 psi/kpa

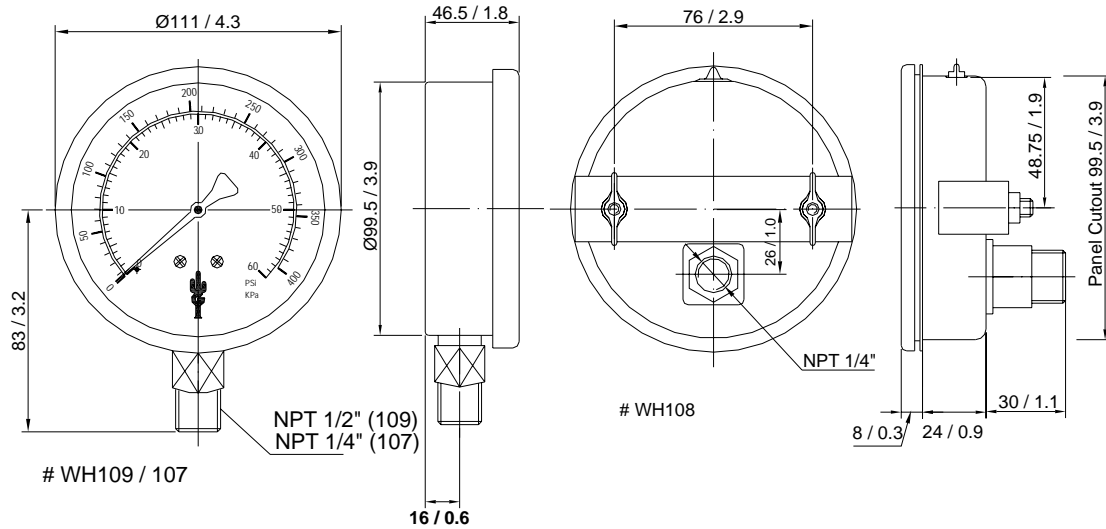
Case Material
304 Stainless Steel



Optional Features (minimum order may apply)

- Private label (your logo on dial)
- Custom dial layout
- Single scale, Bar, kPa, Kg/cm²
- Rubber "gauge guard"
- Cleaned for O2 Service
- Nickel or Chrome plating
- Plastic lens
- Special connections limited to wrench flat area
- Custom soldering connection for high temperatures
- Stainless steel case
- Brass case
- Medical specification

Connection	Elite 400 Series		
	1/4" BTM	1/4" LBU	1/2" BTM
Pressure Range	4" Dial	4" Dial	4" Dial
30" Hg Vac	WH10705P	WH10805P	WH10905P
30" Hg. x 30 psi	WH10712P	WH10812P	WH10912P
30" Hg. x 60 psi	WH10714P	WH10814P	WH10914P
30" Hg. x 150 psi	WH10718P	WH10818P	WH10918P
30" Hg. x 300 psi	WH10724P	WH10824P	WH10924P
0-15 psi / kpa	WH10740P	WH10840P	WH10940P
0-30 psi / kpa	WH10742P	WH10842P	WH10942P
0-60 psi / kpa	WH10746P	WH10846P	WH10946P
0-100 psi / kpa	WH10748P	WH10848P	WH10948P
0-160 psi / kpa	WH10752P	WH10852P	WH10952P
0-200 psi / kpa	WH10754P	WH10854P	WH10954P
0-300 psi / kpa	WH10758P	WH10858P	WH10958P
0-400 psi / kpa	WH10760P	WH10860P	WH10960P
0-600 psi / kpa	WH10764P	WH10864P	WH10964P
0-1000 psi / kpa	WH10772P	WH10872P	WH10972P
0-1500 psi / kpa	WH10774P	WH10874P	WH10974P
0-2000 psi / kpa	WH10776P	WH10876P	WH10976P
0-3000 psi / kpa	WH10778P	WH10878P	WH10978P
0-5000 psi / kpa	WH10782P	WH10882P	WH10982P
0-6000 psi / kpa	WH10784P	WH10884P	WH10984P
0-7500 psi / kpa	WH10786P	n/s	n/s
0-10000 psi / kpa	WH10790P	WH10890P	WH10990P
0-15000 psi / kpa	WH10792P	WH10892P	WH10992P



Western Gauge & Instruments Ltd. – Head Office
 1,2 4045 – 74 Ave S.E.
 Calgary, AB T2C 1H5
 Ph: (403) 236-4888 Fax: (403) 236-7629
 Email: sales@wgilt.com

Western Gauge & Instruments Ltd. – Branch Office
 6624 – 50th Street
 Edmonton, AB T6B 2N7
 Ph: (780) 463-3800 Fax: (780) 463-3990
 Email: edm@wgilt.com